

NOTES:

BATHROOM:

(A) VANITY DIM.: HEIGHT= 2'-10" WIDTH= 30" DEPTH= 22"

(B) BATHROOM CABINET DIM.: HEIGHT=6' WIDTH= 1'- 8 1/4" DEPTH: 24"

(C) BATHROOM CABINET: FOUR (4) 8" DRAWERS 6" DEEP W/ 4" TOE KICK

KITCHEN:

(D) BENCH

REFRIGERATOR: 24" WIDE; 6' TALL; 18" DEEP (MODEL #: GIE18GSHSS)

OTHER:

FRENCH DOORS: 4' X 6'-8"

BENCH: 18" HIGH; 12" DEEP

NOTES: (CONT'D)

SCALE: 1/2"=1'

WINDOWS:

WINDOW A: 24" X 30" AWNING WINDOW

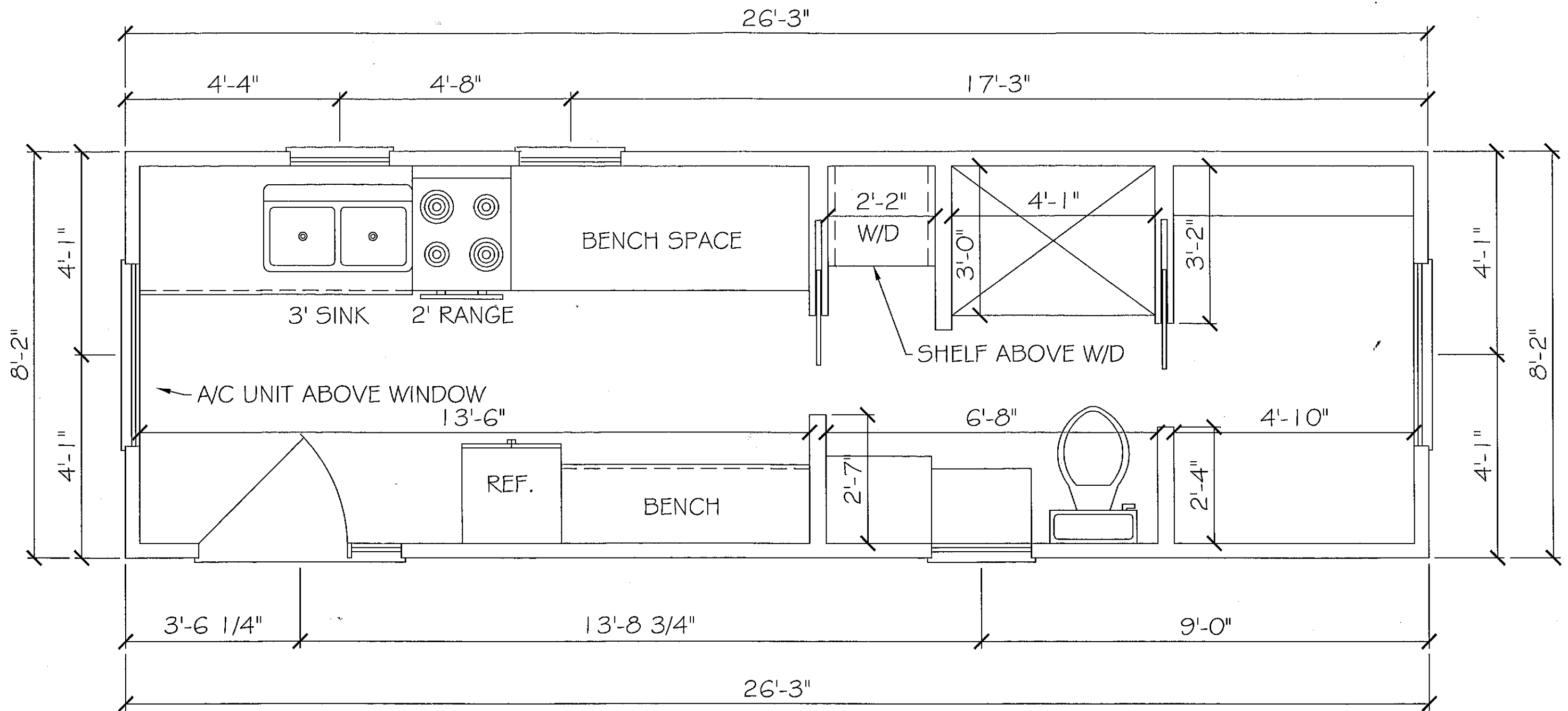
WINDOW B: 24" X 24" AWNING WINDOW

WALLS:

EXTERIOR: 2" X 4" STUD W/ 1/2" T#G PINE ON INTERIOR SIDE

INTERIOR: 2" X 3" STUD W/ 1/2" T#G PINE ON BOTH SIDES

LOFT WALL: 2" X 4" STUD W/ 1/2" T#G PINE ON INTERIOR SIDE



TINY HOUSE PROJECT

NOTE: ALL WALLS ARE 4" THICK
 SCALE: 1/2" = 1'-0"